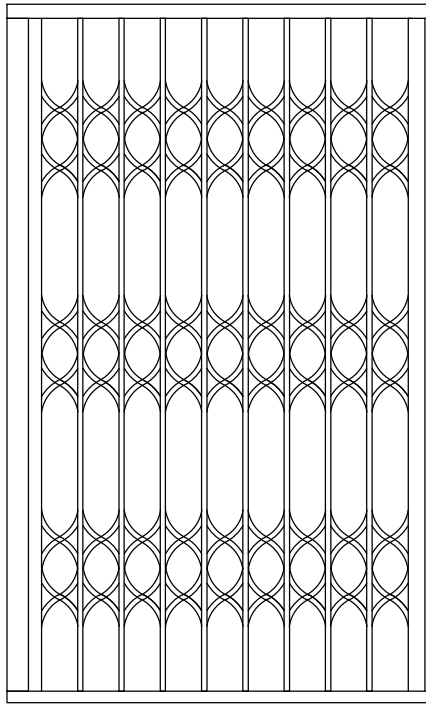
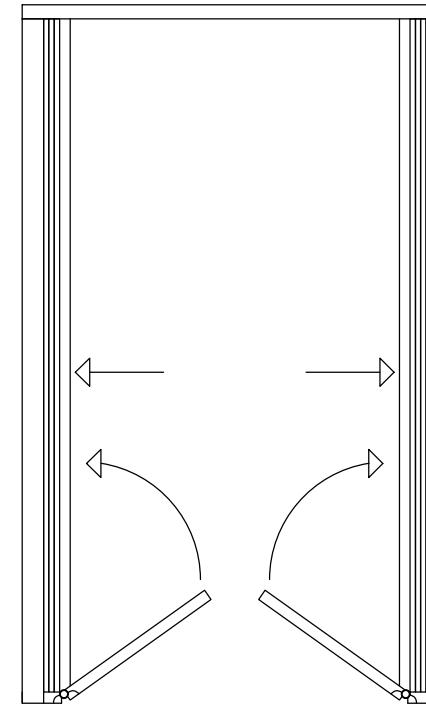
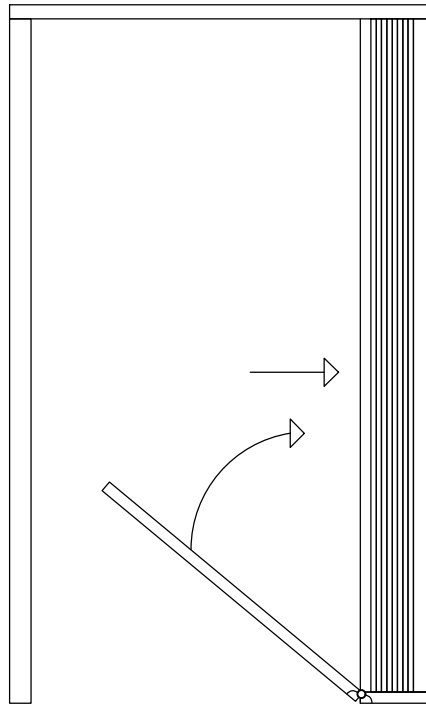
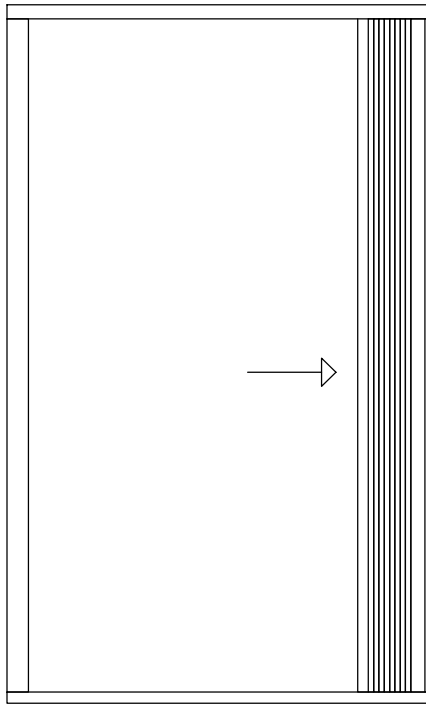
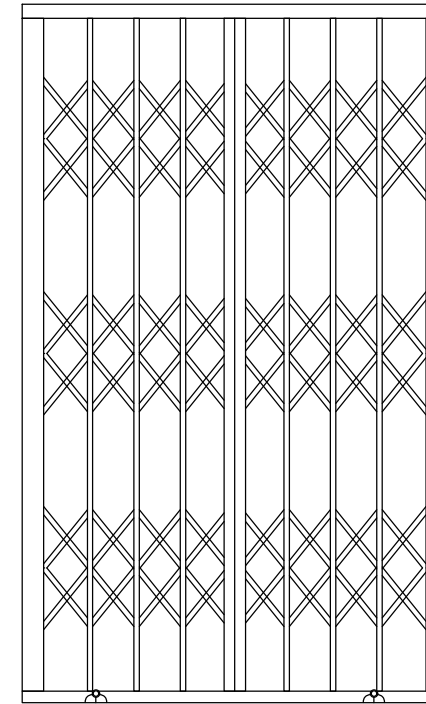
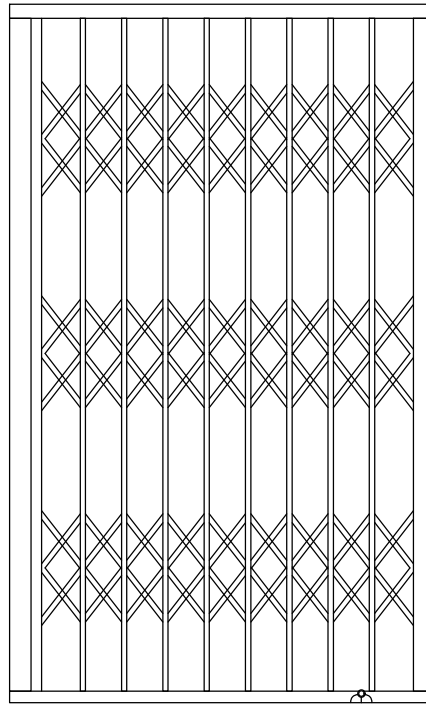



S TYPE



X TYPE



DESCRIPTION CSS1000 GRILLE	CUSTOMER COMPLETE SHUTTER SERVICES LTD	APPROVED BY XX	JOB NO 1234	P/C COLOUR TBC	 Rawson Spring Way Sheffield S6 1PG
	SITE ADDRESS RAWSON SPRING WAY SHEFFIELD S6 1PG	REVISION 1	DATE 25-11-19	P/C ORDER NO	